

ACCESS DOORS

**TL 675 H
TL 675 BH**



Description and Specifications

TL 675 H or BH
Access doors of 25mm thickness with double walled and mineral wool insulation. Designed to provide access to fire dampers, volume control dampers, filters, etc.

Type TL 675 H
Continuous hinge on one edge.
One camlock on opposite edge up to 350mm.
Two camlocks on opposite edge on larger sizes.

Type TL 675 BH
Butt hinged on one edge.
One camlock on opposite edge up to 350mm.
Two camlocks on opposite edge on larger sizes.

Option
Glass inspection
Code TL 675 H G
Code TL 675 BH G

Standard Sizes

150 x 150	300 x 300	400 x 400	600 x 600
200 x 200	350 x 250	450 x 300	
250 x 200	350 x 350	500 x 500	
250 x 250	400 x 300	600 x 450	

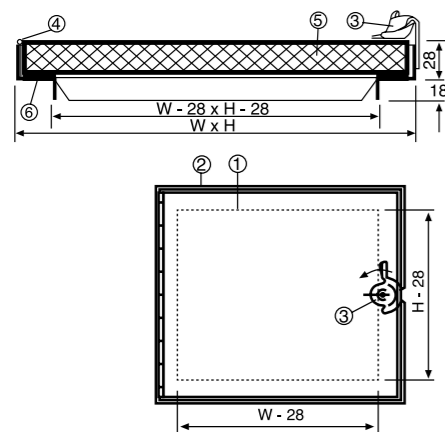
Ordering

Product Code: TL 675 H - 150 / 150

Type _____
W _____
H _____

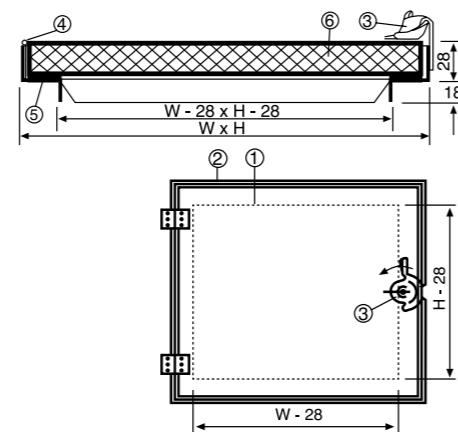
Dimensions

Access Doors: Hinged and cam models with galvanized steel sheet construction.



TL 675 H LEGEND

1. Door Panel
2. Frame
3. Self Tightening Camlocks
4. Continuous Piano Hinged
5. Mineral Wool Insulation
6. Gasket



TL 675 BH LEGEND

1. Door Panel
2. Frame
3. Self Tightening Camlocks
4. Butt Hinged
5. Gasket
6. Mineral Wool Insulation

Description and Specifications

TL 675 C
Access doors of 25mm thickness with double walled and mineral wool insulation. Designed to provide access to fire dampers, volume control dampers, filters, etc.

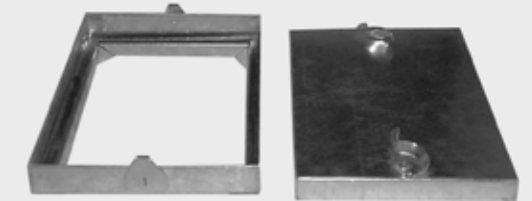
Type TL 675 C
Self tightening camlocks
2 per unit up to 350mm
4 per unit on larger sizes

Option
Glass inspection
Code TL 675 C G

Standard Sizes

150 x 150	300 x 300	400 x 400	600 x 600
200 x 200	350 x 250	450 x 300	
250 x 200	350 x 350	500 x 500	
250 x 250	400 x 300	600 x 450	

TL 675 C



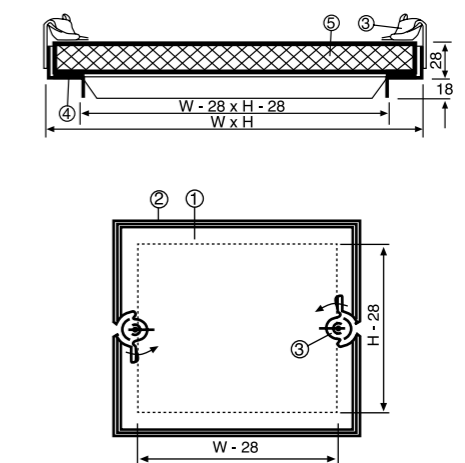
Ordering

Product Code: TL 675 C - 150 / 150

Type _____
W _____
H _____

Dimensions

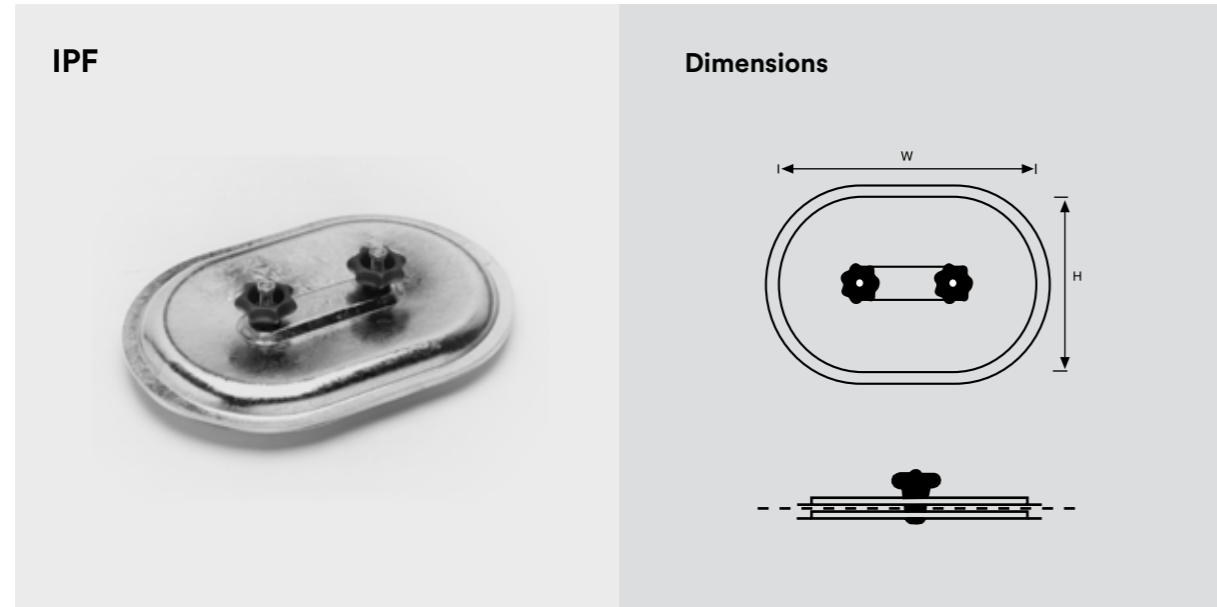
Access Doors: Double cam models and galvanized steel sheet construction.



TL 675 C LEGEND

1. Door Panel
2. Frame
3. Self Tightening Camlocks
4. Gasket
5. Mineral Wool Insulation





Description

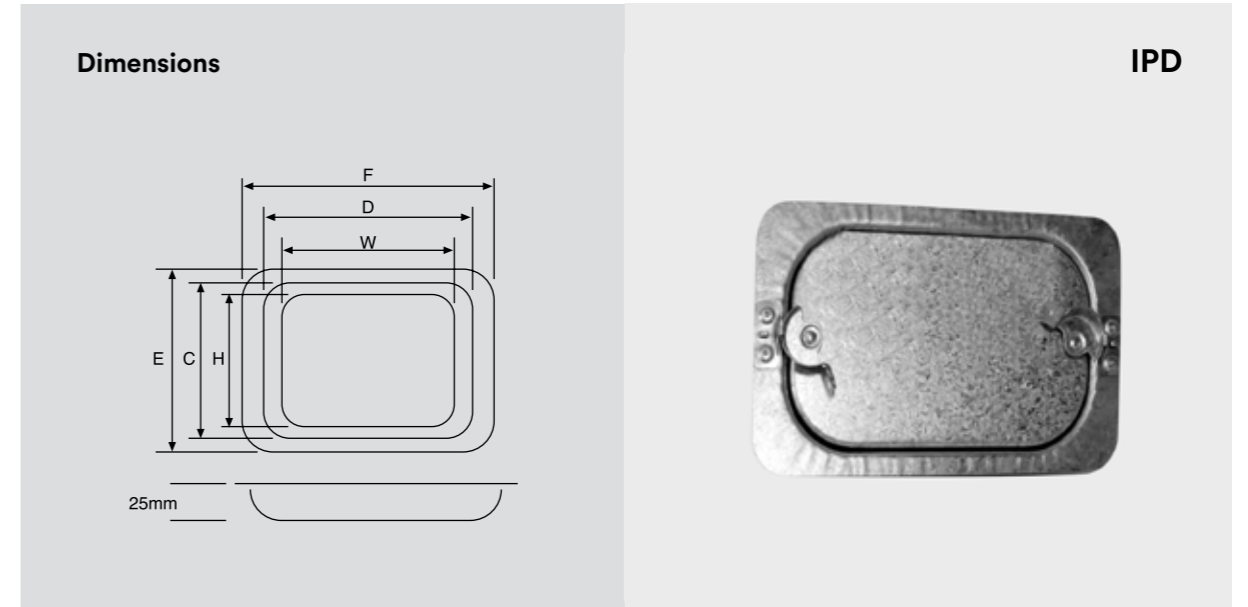
IPF is intended for fitting on rectangular ductwork. Standard IPF is supplied in galvanized steel construction, but can be delivered in aluminium or Stainless steel.

Ordering

Product Code: IPF - 200 x 100
 Type _____
 W _____
 H _____

Standard Sizes

W	X	H
200	x	100
300	x	200
400	x	300
500	x	400
600	x	500



Description

Access doors of 25mm thickness with double walled and mineral wool insulation. Designed to provide access to fire dampers, volume control dampers, filters etc.

Ordering

Product Code: IPD - 463 x 327
 Type _____
 W _____
 H _____

The IPD Access door is airtight up to max. 2000 pa. (8" W.G.) supplied with rubber sealing strips along with Quick-acting closure for easy operation.


IPD is intended for fitting on rectangular ductwork.

Standard Sizes

W x H	C x D	E x F
608 x 463	500 x 649	548 x 699
463 x 327	368 x 500	418 x 548
332 x 198	240 x 375	286 x 422
206 x 116	150 x 240	195 x 288



ADA



Description

Uninsulated sandwich type access doors give easy access to rectangular ducts which require a regular access for maintenance and inspection of air dampers, filters and etc.

Standard Sizes

W	X	H
600	x	450
450	x	350
300	x	200
250	x	150

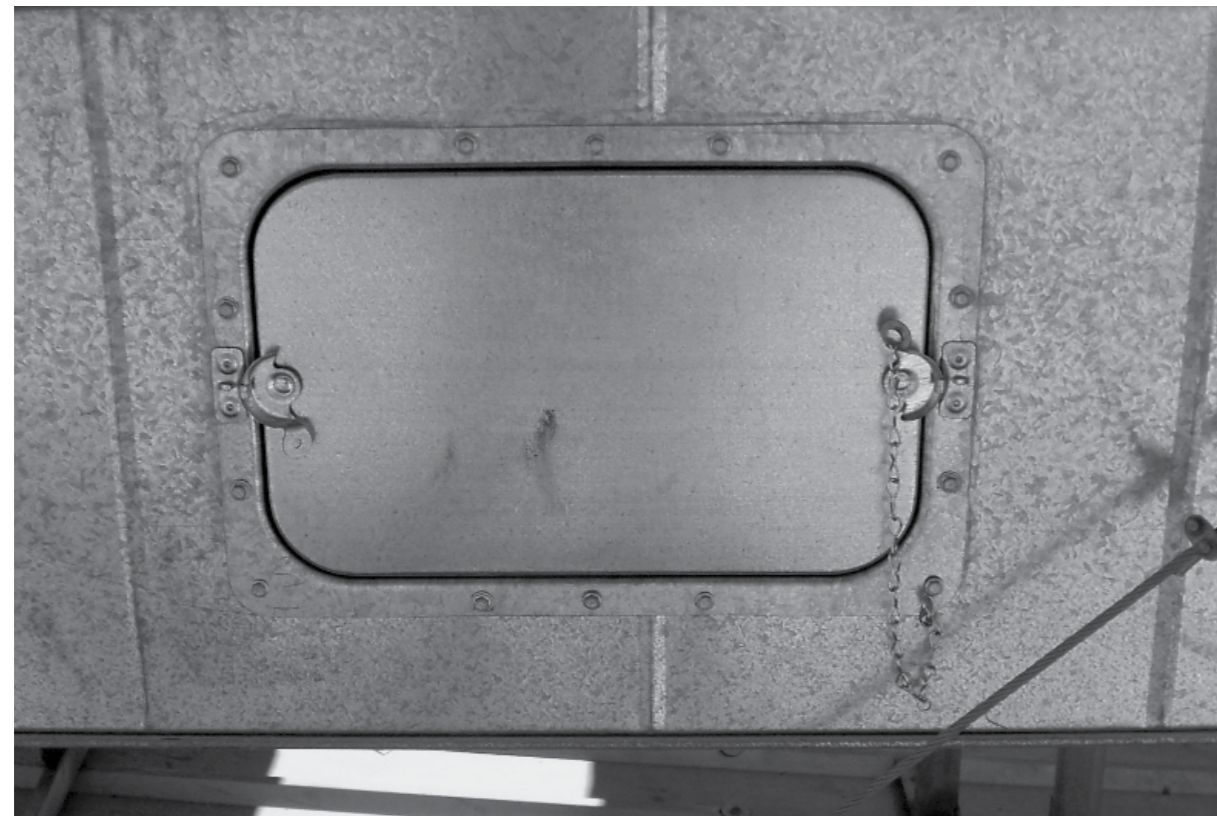
Ordering

Product Code: ADA - 250 x 150

Type _____

W _____

H _____



Description and Specifications

TLP - H or C
Access doors of 25mm thickness with double walled and mineral wool insulation. Designed to provide access to fire dampers, volume control dampers, filters, etc.

Type TLP - H
Continuous hinge on one edge.
One camlock on opposite edge up to 350mm.
Two camlocks on opposite edge on larger sizes.


Type TLP - C
Self tightening camlocks
2 per unit up to 350mm
4 per unit on larger sizes

Option
Glass inspection code
TLP - HG
TLP - CG

Standard Sizes

Sizes of access doors similar to TL 675 must be specified along with spiral or round duct dia.

TLP - H
TLP - C



Ordering

Product Code: TLP-H - 400 / 350 / 300

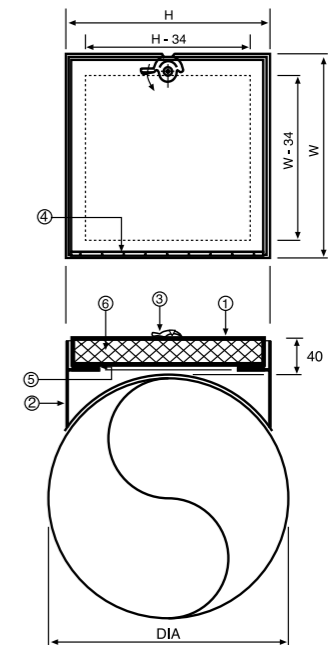
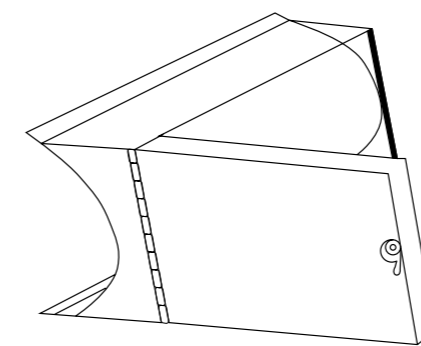
Type _____

∅d _____

W _____


H _____

Dimensions

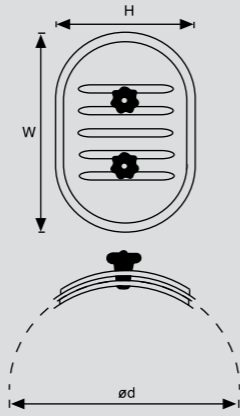


TLP - H LEGEND:
 1. Door Panel 2. Frame 3. Self Tightening Camlocks
 4. Continuous Hinged 5. Gasket 6. Mineral Wool Insulation

IPLR



Dimensions



Description

IPLR is intended for fitting on circular ductwork. Template for hole-cutting in ductwork is supplied. Standard IPLR is supplied in galvanized steel construction but, can be delivered in aluminium or stainless steel.

Ordering

Product Code:

Type

ød

ød	W	x	H
80	180	x	80
100	180	x	80
112	180	x	80
125	180	x	80
140	200	x	100
150	200	x	100
160	200	x	100
180	200	x	100
200	200	x	100
224	200	x	100
250	200	x	100
280	200	x	100
315	200	x	100
355	300	x	200
400	300	x	200
450	300	x	200
500	300	x	200

ød	W	x	H
560	400	x	300
630	400	x	300
710	400	x	300
800	400	x	300
900	400	x	300
1000	500	x	400
1120	500	x	400
1250	500	x	400

Specifications

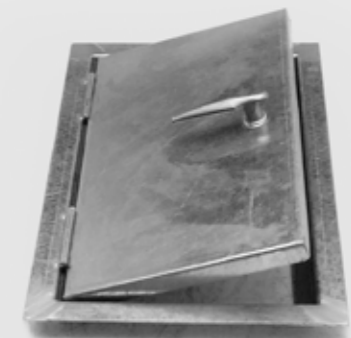
Type TL 677

- Double skinned door panels of galvanized steel with mineral wool insulation.
- Closure and opening is by double lever locking handles which can be operated from both sides.
- The door panel is supplied with neoprene seal temperature resistant upto +80°C.
- Door panels are designed to provide access to plant rooms, air handling units and in filter plenums.

Option

- * Glass inspection code TL 677 G
- * Builders cleats code TL 677 C, & illustrated.
- * Epoxy coated, code TL 677 E
- * Stainless steel construction, code TL 677 S.

TL 677



Standard Sizes

W	X	H
500	x	1500
600	x	1600
600	x	1800
800	x	1800
1000	x	1940

*Other sizes available on request.

Ordering

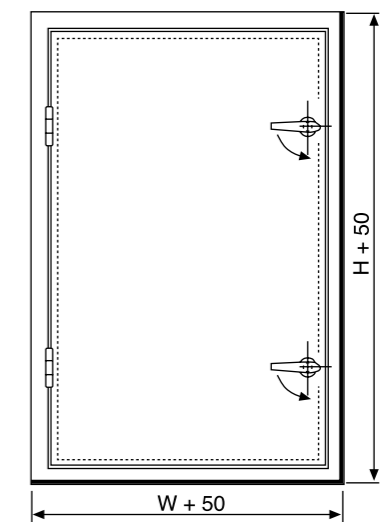
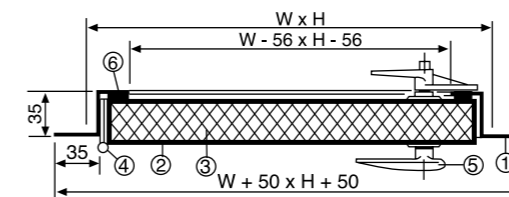
Product Code:

Type

W

H

Dimensions

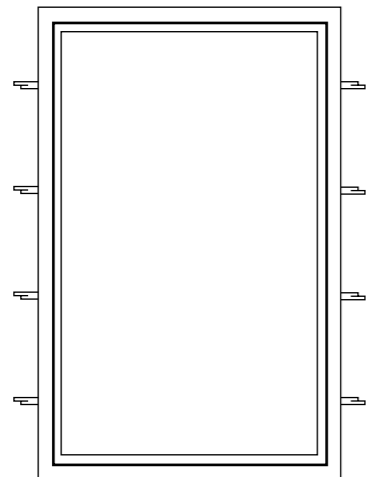
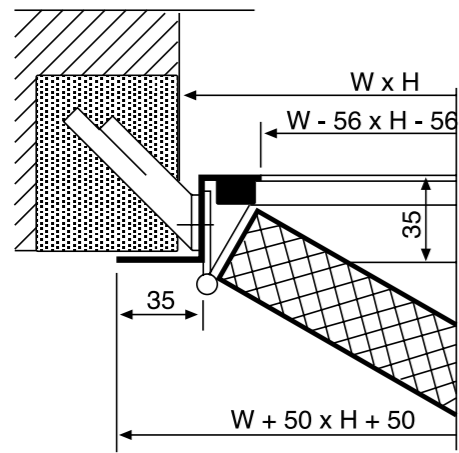


TL 677 LEGEND

1. Frame
2. Door panel
3. Mineral wool insulation
4. Hinges
5. Lever locking
6. 12 mm wide gasket

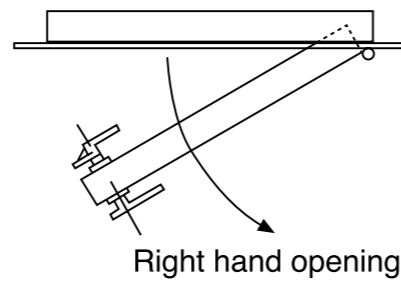
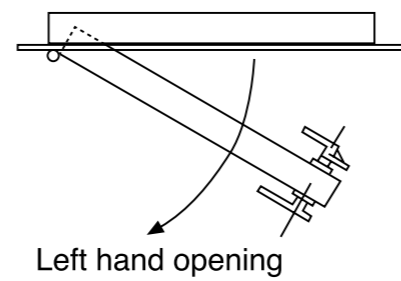
TL 677

Builders Cleat Details

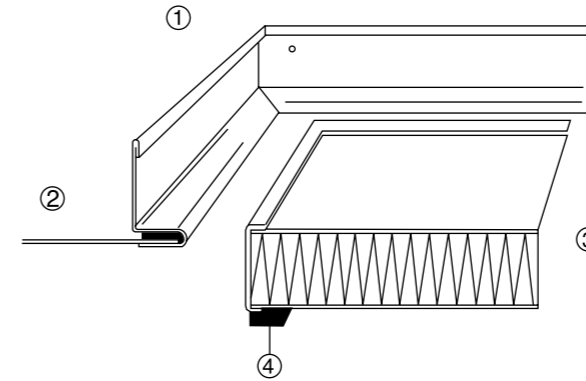


W x H	no. of cleats on H. dimension
500 x 1500	3
600 x 1600	3
600 x 1800	4
800 x 1800	4
1000 x 1940	4

Door Opening



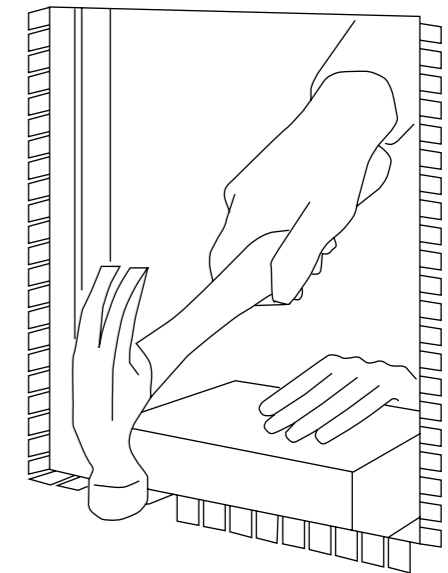
Installation Method for TL 675 H, BH and C



- ① Frame
- ② Duct
- ③ Mineral Fibre
- ④ Seal (gasketing)

Method statement for installation is as follows:

1. Cut opening in the ductwork to dimensional detail as in sketch (opening should be less 28mm for L and H than access door size) appropriate for the size of access panel to be fitted.
2. Place the access panel frame in the cut aperture. Ensure the frame is fully pushed into the aperture to compress the frame seal against the ducting and knock over the fishtab cut outs to fix the frame.
3. Locate the access panel in the frame and positively close using cam lock fasteners.



Duct and subframe must be supported while forming the tabs